



## 100 SERIES

- Switch adjustment ranges from vacuum through 6,000 psi depending on model
- 100V: Standard Brass with NBR diaphragm wetted parts, 100L: Standard Brass with Polyimide diaphragm wetted parts, 100H: Standard Zinc-nickel with NBR diaphragm wetted parts
- SPST creep action switch with Silver-plated contacts
- CE compliant to suppress RFI, EMI and ESD
- RoHS compliant

### APPLICATIONS

- Hydraulics & pneumatics
- Pumps & compressors
- Tank monitoring
- Leak detection
- Water management

### SPECIFICATIONS

Switching parameters	
Function	SPST N.O. or N.C. contact
Contact rating	100 VA Max Voltage 42 Vdc
Repeatability	See Chart on page 107
Hysteresis	<10% of setpoint
Contact material	Silver-plated, optional gold-plated
Frequency	Max. 60 cycles/min
Switch type	
Switch type	Creep action
Pressure ranges	
Pressure ranges	Vacuum through 6,000 psig
Service life	
Service life	>1,000,000 load cycles
Temperature ranges	
Temperature ranges	Media -13 °F to 185 °F (-25 °C to 85 °C) Ambient -13 °F to 185 °F (-25 °C to 85 °C) Storage -13 °F to 185 °F (-25 °C to 85 °C)
Proof pressure	
Proof pressure	100V & 100L 350 psi 100H: 9,000 psi
Measuring element	
Measuring element	100V: Brass, NBR diaphragm 100L: Brass, Polyimide diaphragm 100H: Zinc-nickel plated Steel, NBR diaphragm
Housing material	
Housing material	100V & 100L: Brass, optional Stainless Steel 100H: Plated Steel, optional Stainless Steel
Environmental rating	
Environmental rating	IP00 - Exposed Terminals IP69 - Flying Leads & Deutsch Integral
Weight	
Weight	Approximately 0.2 lb.



ORDERING INFORMATION			
<b>SERIES</b>	<b>100V</b> 100 Vacuum Series <b>100L</b> 100 Low Pressure Series	<b>100H</b> 100 High Pressure Series	
<b>SWITCH FUNCTIONS</b>	<b>1</b> SPST, Normally open	<b>2</b> SPST, Normally closed	
<b>PROCESS CONNECTION</b>	<b>1</b> 1/8" NPT male <b>2</b> 1/4" NPT male <b>10</b> G 1/4B	<b>31</b> 9/16-18 SAE Male, Non-Adjustable <b>33</b> G 1/8B <b>45</b> 7/16-20 SAE Male, Non-Adjustable	
<b>100V VACUUM PRESSURE SWITCH ADJUSTMENT RANGES (Max. working pressure)</b>	<b>3/25-vac</b> -3 inHg to -25 inHg (350 psig)		
<b>100L LOW PRESSURE SWITCH ADJUSTMENT RANGES (Max. working pressure)</b>	<b>2/20</b> 2 psig to 20 psig (350 psig) <b>15/100</b> 15 psig to 100 psig (350 psig)	<b>50/150</b> 50 psig to 150 psig (350 psig)	
<b>100H HIGH PRESSURE SWITCH ADJUSTMENT RANGES (Max. working pressure)</b>	<b>2/30</b> 2 psig to 30 psig (9,000 psig) <b>15/200</b> 15 psig to 200 psig (9,000 psig) <b>125/600</b> 125 psig to 600 psig (9,000 psig)	<b>300/2500</b> 300 psig to 2,500 psig (9,000 psig) <b>500/3500</b> 500 psig to 3,500 psig (9,000 psig) <b>3000/6000</b> 3,000 psig to 6,000 psig (9,000 psig)	
<b>ELECTRICAL CONNECTIONS†</b>	<b>4</b> Spade Terminals (1/4 x 1/32) <b>66</b> Deutsch Integral 2-Pin (DT04-2P) <b>77</b> 18" Flying Leads <b>78</b> 6-32 Terminal Screws <b>96</b> Weatherpack Tower, 2-Pin Female*	<b>97</b> Weatherpack Tower, 2-Pin Male* <b>98</b> Weatherpack Shroud, 2-Pin Female* <b>99</b> Weatherpack Shroud, 2-Pin Male* <b>100</b> Deutsch 2-Pin Male (DT04-2P)* <b>103</b> Deutsch 2-Pin Female Socket (DT06-2S)*	
<b>OPTIONS**</b>	<b>AU</b> Gold Plated Contacts <b>EP</b> EPDM Diaphragm (-10/250 °F) <b>HNBR</b> Low Temp Nitrile (-40/110 °F)	<b>VT</b> FKM Diaphragm (0/250 °F) <b>SS</b> 316 SS Wetted Materials	

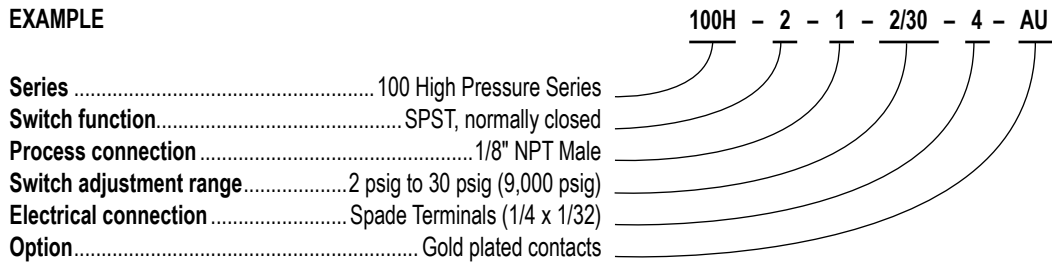
Please consult your local NOSHOK Distributor or NOSHOK, Inc. for availability and delivery information.

\* Options attached to Flying Leads

\*\* Not all options are available for all ranges, consult factory

† Other electrical connections available, consult factory

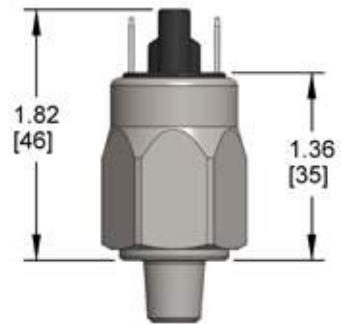
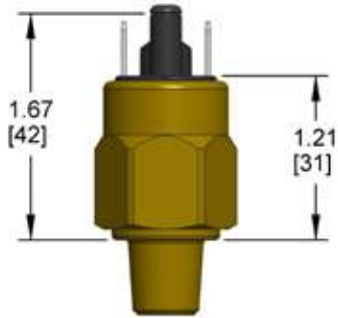
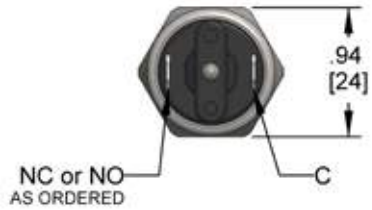
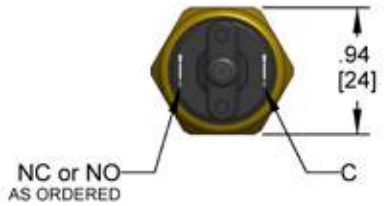
**EXAMPLE**



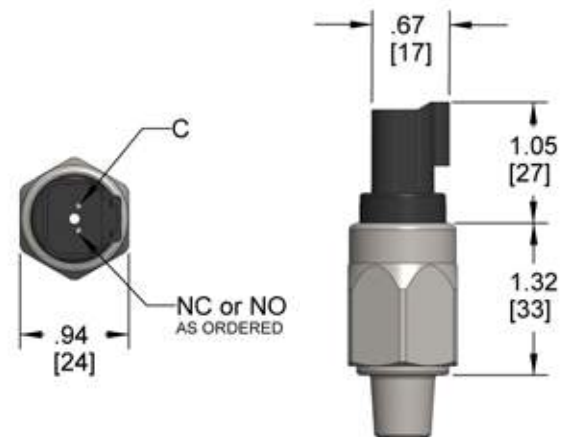
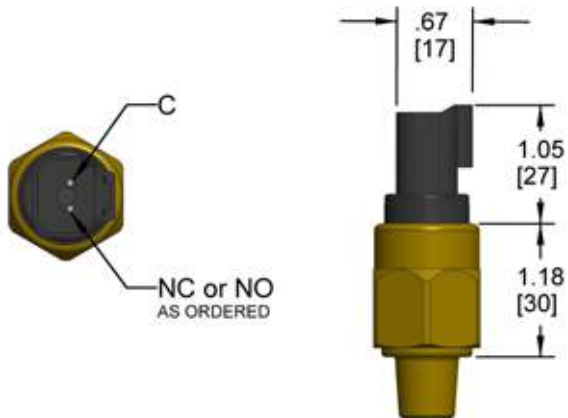
Series	Range	Repeatability
100V	3 - 25 inHg	1 psi or 5% of setpoint
100L	2 - 20 15 - 100 50 - 150	3% of full setpoint range
100H	2 - 30 15 - 200 125 - 600 300 - 2,500 500 - 3,500 3,000 - 6,000	3% of full setpoint range

# Dimensions

**100V & 100L Spade Terminals      100H Spade Terminals**



**100V & 100L Deutsch 2-Pin      100H Deutsch 2-Pin**



**100V & 100L 18" Flying Leads**                      **100H 18" Flying Leads**

